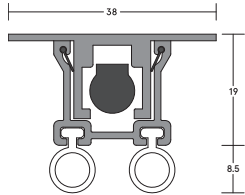


LAS8004 SI DROP SEAL FITTING GUIDE



LENGTH _____

CONTENTS

- LAS8004 si drop seal
- Fixing screws
- 1 x striker button

TOOLS REQUIRED

- Tape measure
- Pencil or marker
- Saw, power or hand
- Screw driver
- Drill, power or hand
- 2.5mm drill bit
- Scissors, knife or snips

INSTALLATION DETAIL

STEP 1

Remove the seal from the packaging and check maximum cut back sizes.

STEP 2

Measure the door bottom. At the opposite end to the actuator button, pull back the gasket and using a power/hack saw, cut the aluminium sections to the measured length. Remove cutting swarf/debris. Push gasket back into position and cut to length with a sharp knife.

STEP 3

Position the seal on the door bottom ensuring the actuator button is on the hinge side.

STEP 4

Pre-drill and screw fix to the door using screws provided.

STEP 5 FOR TIMBER FRAMES

Position the striker button on the stop where the actuator button meets the door frame.

STEP 6

Open and close the door observing the operation of the seal. Adjust accordingly by winding the actuator button clockwise to reduce movement and anti-clockwise to increase the seal movement.

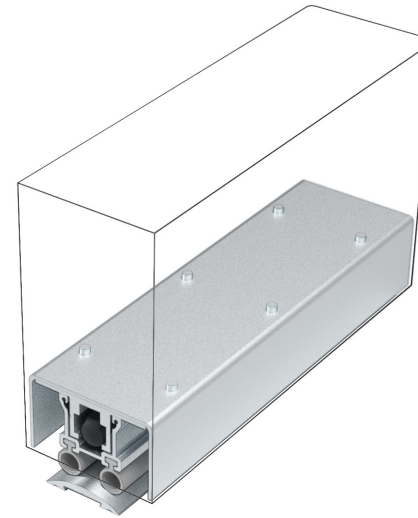
NOTE

For optimum results the seal should be adjusted so that the silicone gasket touches the sill in the final closing moment of the door.

We recommend LAS8004 si drop seal be used together with a Lorient perimeter seal and, if required a Lorient threshold plate.

NOTE

Ensure that the installation of this product does not impede the opening or closing of the door. It is recommended to check the adjustment of the door seal periodically to ensure the door assembly to which it is fitted, closes and latches properly.



CUT BACK SIZES

Do not cut the seal shorter than the lengths indicated below or this will affect the normal operation of the internal mechanism.

435mm cuts to 400mm
535mm cuts to 435mm
635mm cuts to 535mm
735mm cuts to 635mm
835mm cuts to 735mm
935mm cuts to 835mm
1035mm cuts to 935mm
1135mm cuts to 1035mm
1235mm cuts to 1135mm

NOTE

Recommendations as to methods, use of materials and construction details are based on the experience and knowledge of Lorient and are given in good faith as a general guide and service to designers, contractors and manufacturers.

Lorient reserves the right to make alterations or delete any installation detail without prior notice.

V1